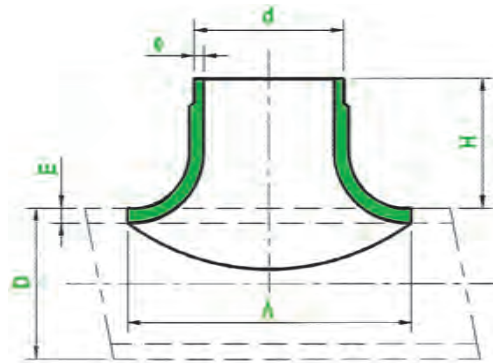


Saddles

10 Bar

14 Bar

With Equal Or Reduced Branch



Material : CuNi 90/10 | CuNi 70/30

Outside Diameter of Pipe						DIN 86087									
ØD x ød		ØD x ød		10 Bar					14 Bar						
Nominal (Inch)		Actual (mm)		E (mm)	e (mm)	H (mm)	A (mm)	kg /pc	E (mm)	e (mm)	H (mm)	A (mm)	kg /pc		
SEAMLESS															
1/2	x	1/2	20	x	20	1.0	1.0	20	32	0.05	1.5	1.5	20	32	0.052
3/4	x	1/2	25	x	20	1.5	1.0	20	40	0.05	1.5	1.5	20	40	0.052
3/4	x	3/4	25	x	25	1.5	1.5	22	40	0.06	1.5	1.5	22	40	0.062
1	x	3/4	30	x	25	1.5	1.5	22	40	0.06	2.0	1.5	22	40	0.062
1	x	1	30	x	30	1.5	1.5	30	50	0.10	2.0	2.0	30	50	0.12
1 1/4	x	1	38	x	30	1.5	1.5	30	50	0.10	2.0	2.0	30	50	0.12
1 1/4	x	1 1/4	38	x	38	1.5	1.5	35	64	0.11	2.0	2.0	35	64	0.13
1 1/2	x	1 1/4	44.5	x	38	1.5	1.5	35	64	0.14	2.0	2.0	35	64	0.15
1 1/2	x	1 1/2	44.5	x	44.5	1.5	1.5	35	74	0.15	2.0	2.0	35	74	0.17
2	x	1 1/4	57	x	38	1.5	1.5	35	64	0.15	2.0	2.0	35	64	0.17
2	x	1 1/2	57	x	44.5	1.5	1.5	35	74	0.17	2.0	2.0	35	74	0.185
2	x	2	57	x	57	1.5	1.5	40	97	0.25	2.0	2.0	40	97	0.27
2 1/2	x	1 1/4	76.1	x	38	2.0	1.5	35	64	0.30	2.0	2.0	35	64	0.32
2 1/2	x	1 1/2	76.1	x	44.5	2.0	1.5	35	74	0.34	2.0	2.0	35	74	0.38
2 1/2	x	2	76.1	x	57	2.0	1.5	40	97	0.48	2.0	2.0	40	97	0.50
2 1/2	x	2 1/2	76.1	x	76.1	2.0	2.0	50	126	0.52	2.0	2.0	50	126	0.55
3	x	1 1/4	88.9	x	38	2.0	1.5	35	64	0.36	2.5	1.5	35	64	0.45
3	x	1 1/2	88.9	x	44.5	2.0	1.5	35	74	0.44	2.5	1.5	35	74	0.55
3	x	2	88.9	x	57	2.0	1.5	40	97	0.50	2.5	1.5	40	97	0.62
3	x	2 1/2	88.9	x	76.1	2.0	2.0	50	126	0.56	2.5	2.0	50	126	0.70
3	x	3	88.9	x	88.9	2.0	2.0	55	149	0.76	2.5	2.5	55	149	0.95
4	x	1 1/2	108	x	44.5	2.5	1.5	35	74	0.32	2.5	2.0	35	74	0.34
4	x	2	108	x	57	2.5	1.5	40	97	0.40	2.5	2.0	40	97	0.42
4	x	2 1/2	108	x	76.1	2.5	2.0	50	126	0.65	2.5	2.0	50	126	0.68
4	x	3	108	x	88.9	2.5	2.0	55	149	0.79	2.5	2.5	55	149	0.83
4	x	4	108	x	108	2.5	2.5	75	188	1.30	2.5	2.5	75	188	1.35
5	x	2	133	x	57	2.5	1.5	40	97	0.40	3.0	1.5	40	97	0.48
5	x	2 1/2	133	x	76.1	2.5	2.0	50	126	0.80	3.0	2.0	50	126	0.96
5	x	3	133	x	88.9	2.5	2.0	55	149	1.00	3.0	2.5	55	149	1.20
5	x	4	133	x	108	2.5	2.5	75	188	1.20	3.0	2.5	75	188	1.44
5	x	5	133	x	133	2.5	2.5	85	233	1.70	3.0	3.0	85	233	2.04
6	x	2 1/2	159	x	76.1	2.5	2.0	50	126	0.65	3.0	2.0	50	126	0.78
6	x	3	159	x	88.9	2.5	2.0	55	149	1.00	3.0	2.5	55	149	1.20
6	x	4	159	x	108	2.5	2.5	75	188	1.20	3.0	2.5	75	188	1.44
6	x	5	159	x	133	2.5	2.5	85	233	2.00	3.0	3.0	85	233	2.40
6	x	6	159	x	159	2.5	2.5	95	279	2.60	3.0	3.0	95	279	3.12
7	x	2 1/2	193.7	x	76.1	2.5	2.0	50	126	0.95	3.5	2.5	50	126	1.33
7	x	3	193.7	x	88.9	2.5	2.0	55	149	1.30	3.5	2.5	55	149	1.82
7	x	4	193.7	x	108	2.5	2.5	75	188	1.40	3.5	2.5	75	188	1.96
7	x	5	193.7	x	133	2.5	2.5	85	233	1.90	3.5	3.0	85	233	2.66
7	x	6	193.7	x	159	2.5	2.5	95	279	2.50	3.5	3.0	95	279	3.50
7	x	7	193.7	x	193.7	2.5	2.5	110	334	3.20	3.5	3.5	110	334	4.48



Athical Engineering Pte Ltd

Tel: +65 6863 3378 Fax: +65 6863 3398 Email: enquiry@athical.com Website: www.athical.com

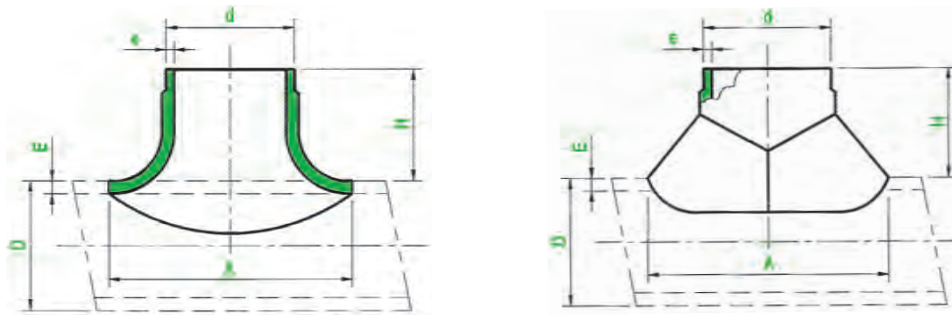


Saddles

10 Bar

14 Bar

With Equal Or Reduced Branch



Material : CuNi 90/10 | CuNi 70/30

Outside Diameter of Pipe						DIN 86087									
ØD x ød			ØD x ød			10 Bar					14 Bar				
Nominal (Inch)			Actual (mm)			E (mm)	e (mm)	H (mm)	A (mm)	kg /pc	E (mm)	e (mm)	H (mm)	A (mm)	kg /pc
SEAMLESS															
8	x	3	219.1	x	88.9	3.0	2.0	55	149	1.30	3.5	2.5	55	149	1.52
8	x	4	219.1	x	108	3.0	2.5	75	188	1.80	3.5	2.5	75	188	2.10
8	x	5	219.1	x	133	3.0	2.5	85	233	2.70	3.5	3.0	85	233	3.15
8	x	6	219.1	x	159	3.0	2.5	95	279	3.80	3.5	3.0	95	279	4.43
8	x	7	219.1	x	193.7	3.0	2.5	110	334	4.50	3.5	3.5	110	334	5.25
8	x	8	219.1	x	219.1	3.0	3.0	125	379	5.70	3.5	3.5	125	379	6.65
10	x	4	267	x	108	3.0	2.5	75	188	1.80	4.0	2.5	75	188	2.40
10	x	5	267	x	133	3.0	2.5	85	233	2.30	4.0	3.0	85	233	3.06
10	x	6	267	x	159	3.0	2.5	95	279	3.70	4.0	3.0	95	279	4.93
10	x	7	267	x	193.7	3.0	2.5	110	334	4.70	4.0	3.5	110	334	6.27
10	x	8	267	x	219.1	3.0	3.0	125	379	6.10	4.0	3.5	125	379	8.13
10	x	10	267	x	267	3.0	3.0	155	447	8.70	4.0	4.0	155	447	11.60
SEAM WELDED															
12	x	5	323.9	x	133	4.0	2.5	85	233	2.60	5.0	3.0	85	233	3.25
12	x	6	323.9	x	159	4.0	2.5	95	279	3.80	5.0	3.0	95	279	4.75
12	x	7	323.9	x	193.7	4.0	2.5	110	334	4.90	5.0	3.5	110	334	6.20
12	x	8	323.9	x	219.1	4.0	3.0	125	379	7.70	5.0	3.5	125	379	9.60
12	x	10	323.9	x	267	4.0	3.0	155	447	10.00	5.0	4.0	155	447	12.50
12	x	12	323.9	x	323.9	4.0	4.0	185	560	13.00	5.0	5.0	185	560	16.25
14	x	6	368	x	159	4.0	2.5	95	279	3.85	5.5	3.0	95	279	5.30
14	x	7	368	x	193.7	4.0	2.5	110	334	4.20	5.5	3.5	110	334	5.80
14	x	8	368	x	219.1	4.0	3.0	125	379	4.35	5.5	3.5	125	379	6.00
14	x	10	368	x	267	4.0	3.0	155	447	7.30	5.5	4.0	155	447	10.00
14	x	12	368	x	323.9	4.0	4.0	185	560	9.45	5.5	5.0	185	560	13.00
14	x	14	368	x	368	4.0	4.0	200	613	12.35	5.5	5.5	200	613	17.00
16	x	8	419.1	x	219.1	4.0	3.0	125	379	4.35	6.0	3.5	125	379	6.50
16	x	10	419.1	x	267	4.0	3.0	155	447	6.65	6.0	4.0	155	447	10.00
16	x	12	419.1	x	323.9	4.0	4.0	185	560	9.35	6.0	5.0	185	560	14.00
16	x	14	419.1	x	368	4.0	4.0	200	613	12.00	6.0	5.5	200	613	18.00
16	x	16	419.1	x	419.1	4.0	4.0	225	680	17.35	6.0	6.0	225	680	26.00
18	x	10	457.2	x	267	4.0	3.0	155	447	6.30	6.0	4.0	155	447	9.45
18	x	12	457.2	x	323.9	4.0	4.0	185	560	8.00	6.0	5.0	185	560	12.00
18	x	14	457.2	x	368	4.0	4.0	200	613	9.70	6.0	5.5	200	613	14.60
18	x	16	457.2	x	419.1	4.0	4.0	225	680	14.85	6.0	6.0	225	680	22.30
18	x	18	457.2	x	457.2	4.0	4.0	250	800	21.70	6.0	6.0	250	800	32.60
20	x	12	508	x	323.9	4.5	4.0	185	560	9.00	6.5	5.0	185	560	13.00
20	x	14	508	x	368	4.5	4.0	200	613	10.80	6.5	5.5	200	613	15.60
20	x	16	508	x	419.1	4.5	4.0	225	680	16.80	6.5	6.0	225	680	24.30
20	x	18	508	x	457.2	4.5	4.0	250	800	22.80	6.5	6.0	250	800	32.95
20	x	20	508	x	508	4.5	4.5	275	880	28.80	6.5	6.5	275	880	41.60
24	x	14	610	x	368	5.0	4.0	200	613	11.10	8.0	5.5	200	613	17.77
24	x	16	610	x	419.1	5.0	4.0	225	680	17.25	8.0	6.0	225	680	27.55
24	x	18	610	x	457.2	5.0	4.0	250	800	22.80	8.0	6.0	250	800	36.45
24	x	20	610	x	508	5.0	4.5	275	880	26.70	8.0	6.5	275	880	42.65
24	x	24	610	x	610	5.0	5.0	300	1020	47.20	8.0	8.0	300	1020	75.50



Athical Engineering Pte Ltd

Tel: +65 6863 3378 Fax: +65 6863 3398 Email: enquiry@athical.com Website: www.athical.com

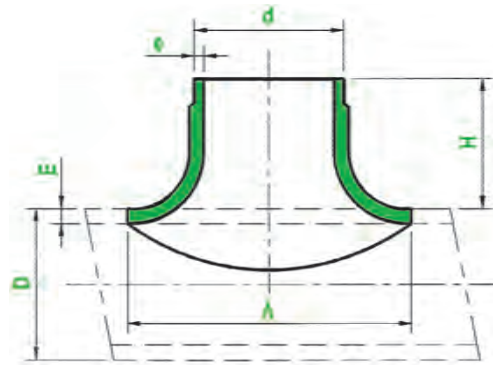


Saddles

16 Bar

20 Bar

With Equal Or Reduced Branch



Material : CuNi 90/10 | CuNi 70/30

Outside Diameter of Pipe						EEMUA 146									
ØD x ød			ØD x ød			16 Bar					20 Bar				
Nominal (Inch)			Actual (mm)			E (mm)	e (mm)	H (mm)	A (mm)	kg /pc	E (mm)	e (mm)	H (mm)	A (mm)	kg /pc
SEAMLESS															
1/2	x	-	16	x	16	2.0	2.0	20	32	0.06	2.0	2.0	20	32	0.06
3/4	x	-	25	x	25	2.0	2.0	22	40	0.08	2.0	2.0	22	40	0.08
1	x	-	30	x	-	2.5	2.5	30	50	0.11	2.5	2.5	30	50	0.11
1¼	x	1¼	38	x	38	2.5	2.5	35	64	0.18	2.5	2.5	35	64	0.18
1½	x	1¼	44.5	x	38	2.5	2.5	35	64	0.23	2.5	2.5	35	64	0.23
1½	x	1½	44.5	x	44.5	2.5	2.5	35	74	0.25	2.5	2.5	35	74	0.25
2	x	1¼	57	x	38	2.5	2.5	35	64	0.25	2.5	2.5	35	64	0.25
2	x	1½	57	x	44.5	2.5	2.5	35	74	0.28	2.5	2.5	35	74	0.28
2	x	2	57	x	57	2.5	2.5	40	97	0.40	2.5	2.5	40	97	0.40
2½	x	1¼	76.1	x	38	2.5	2.5	35	64	0.37	2.5	2.5	35	64	0.37
2½	x	1½	76.1	x	44.5	2.5	2.5	35	74	0.42	2.5	2.5	35	74	0.42
2½	x	2	76.1	x	57	2.5	2.5	40	97	0.60	2.5	2.5	40	97	0.60
2½	x	2½	76.1	x	76.1	2.5	2.5	50	126	0.65	2.5	2.5	50	126	0.65
3	x	1¼	88.9	x	38	2.5	2.5	35	64	0.45	2.5	2.5	35	64	0.45
3	x	1½	88.9	x	44.5	2.5	2.5	35	74	0.55	2.5	2.5	35	74	0.55
3	x	2	88.9	x	57	2.5	2.5	40	97	0.62	2.5	2.5	40	97	0.62
3	x	2½	88.9	x	76.1	2.5	2.5	50	126	0.70	2.5	2.5	50	126	0.70
3	x	3	88.9	x	88.9	2.5	2.5	55	149	0.95	2.5	2.5	55	149	0.95
4	x	1½	108	x	44.5	3.0	2.5	35	74	0.38	3.0	2.5	35	74	0.38
4	x	2	108	x	57	3.0	2.5	40	97	0.48	3.0	2.5	40	97	0.48
4	x	2½	108	x	76.1	3.0	2.5	50	126	0.78	3.0	2.5	50	126	0.78
4	x	3	108	x	88.9	3.0	2.5	55	149	0.94	3.0	2.5	55	149	0.94
4	x	4	108	x	108	3.0	3.0	75	188	1.56	3.0	3.0	75	188	1.56
6	x	2½	159	x	76.1	3.0	2.5	50	126	0.78	3.5	2.5	50	126	0.91
6	x	3	159	x	88.9	3.0	2.5	55	149	1.20	3.5	2.5	55	149	1.40
6	x	4	159	x	108	3.0	3.0	75	188	1.44	3.5	3.0	75	188	1.68
6	x	6	159	x	159	3.0	3.0	95	279	3.12	3.5	3.5	95	279	3.64
8	x	3	219.1	x	88.9	4.0	2.5	55	149	1.73	4.5	2.5	55	149	1.94
8	x	4	219.1	x	108	4.0	3.0	75	188	2.40	4.5	3.0	75	188	2.70
8	x	6	219.1	x	159	4.0	3.0	95	279	5.06	4.5	3.5	95	279	5.69
8	x	8	219.1	x	219.1	4.0	4.0	125	379	7.60	4.5	4.5	125	379	8.55
10	x	4	267	x	108	4.5	3.0	75	188	2.70	5.5	3.0	75	188	3.30
10	x	6	267	x	159	4.5	3.0	95	279	5.54	5.5	3.5	95	279	6.77
10	x	8	267	x	219.1	4.5	4.0	125	379	9.14	5.5	4.5	125	379	11.17
10	x	10	267	x	267	4.5	4.5	155	447	13.05	5.5	5.5	155	447	15.95



Athical Engineering Pte Ltd

Tel: +65 6863 3378 Fax: +65 6863 3398 Email: enquiry@athical.com Website: www.athical.com

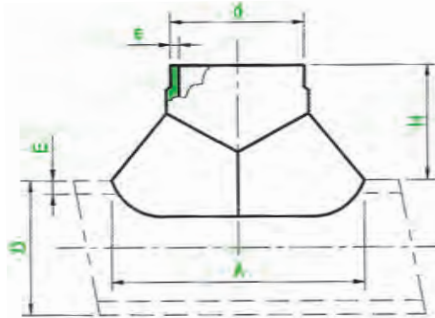


Saddles

16 Bar

20 Bar

With Equal Or Reduced Branch



Material : CuNi 90/10 | CuNi 70/30

Outside Diameter of Pipe				EEMUA 146											
ØD x Ød		ØD x Ød		16 Bar						20 Bar					
Nominal (Inch)		Actual (mm)		E (mm)	e (mm)	H (mm)	A (mm)	kg /pc	E (mm)	e (mm)	H (mm)	A (mm)	kg /pc		
SEAM WELDED															
12	x	8	323.9	x	219.1	5.5	4.0	125	379	6.60	7.0	4.5	125	379	8.40
12	x	10	323.9	x	267	5.5	4.5	155	447	12.10	7.0	5.5	155	447	15.40
12	x	12	323.9	x	323.9	5.5	5.5	185	560	15.40	7.0	7.0	185	560	19.60
14	x	8	368	x	219.1	6.5	4.0	125	379	7.10	8.0	4.5	125	379	8.75
14	x	10	368	x	267	6.5	4.5	155	447	11.80	8.0	5.5	155	447	14.55
14	x	12	368	x	323.9	6.5	5.5	185	560	15.40	8.0	7.0	185	560	18.95
14	x	14	368	x	368	6.5	6.5	200	613	20.10	8.0	8.0	200	613	24.75
16	x	10	419.1	x	267	7.0	4.5	155	447	11.65	9.0	5.5	155	447	15.00
16	x	12	419.1	x	323.9	7.0	5.5	185	560	16.35	9.0	7.0	185	560	21.00
16	x	14	419.1	x	368	7.0	6.5	200	613	19.50	9.0	8.0	200	613	25.10
16	x	16	419.1	x	419.1	7.0	7.0	225	680	28.20	9.0	9.0	225	680	36.25
18	x	12	457.2	x	323.9	8.0	5.5	185	560	16.00	9.5	7.0	185	560	19.00
18	x	14	457.2	x	368	8.0	6.5	200	613	19.45	9.5	8.0	200	613	23.10
18	x	16	457.2	x	419.1	8.0	7.0	225	680	29.70	9.5	9.0	225	680	35.25
18	x	18	457.2	x	457.2	8.0	8.0	250	800	43.40	9.5	9.5	250	800	51.55
20	x	14	508	x	368	8.5	6.5	200	613	20.40	11.0	8.0	200	613	26.40
20	x	16	508	x	419.1	8.5	7.0	225	680	31.75	11.0	9.0	225	680	41.10
20	x	18	508	x	457.2	8.5	8.0	250	800	43.10	11.0	9.5	250	800	55.80
20	x	20	508	x	508	8.5	8.5	275	880	54.40	11.0	11.0	275	880	70.40
24	x	16	610	x	419.1	10.5	7.0	225	680	36.15	13.0	9.0	225	680	44.75
24	x	18	610	x	457.2	10.5	8.0	250	800	47.85	13.0	9.5	250	800	59.25
24	x	20	610	x	508	10.5	8.5	275	880	56.00	13.0	11.0	275	880	69.30
24	x	24	610	x	610	10.5	10.5	300	1020	99.20	13.0	13.0	300	1020	122.80
28	x	18	711	x	457.2	12.0	8.0	250	800	77.70	-	-	-	-	-
28	x	20	711	x	508	12.0	8.5	275	880	105.10	-	-	-	-	-
28	x	24	711	x	610	12.0	10.5	300	1020	137.15	-	-	-	-	-
28	x	28	711	x	711	12.0	12.0	360	1225	182.85	-	-	-	-	-
32	x	20	813	x	508	13.5	8.5	275	880	118.10	-	-	-	-	-
32	x	24	813	x	610	13.5	10.5	300	1020	163.15	-	-	-	-	-
32	x	28	813	x	711	13.5	12.5	360	1225	208.15	-	-	-	-	-
32	x	32	813	x	813	13.5	13.5	410	1400	225.00	-	-	-	-	-
36	x	24	914	x	610	15.5	10.5	300	1020	206.70	-	-	-	-	-
36	x	28	914	x	711	15.5	12.5	360	1225	246.85	-	-	-	-	-
36	x	32	914	x	813	15.5	13.5	410	1400	294.45	-	-	-	-	-
36	x	36	914	x	914	15.5	15.5	460	1550	357.00	-	-	-	-	-



Athical Engineering Pte Ltd

ATHICAL Tel: +65 6863 3378 Fax: +65 6863 3398 Email: enquiry@athical.com Website: www.athical.com

